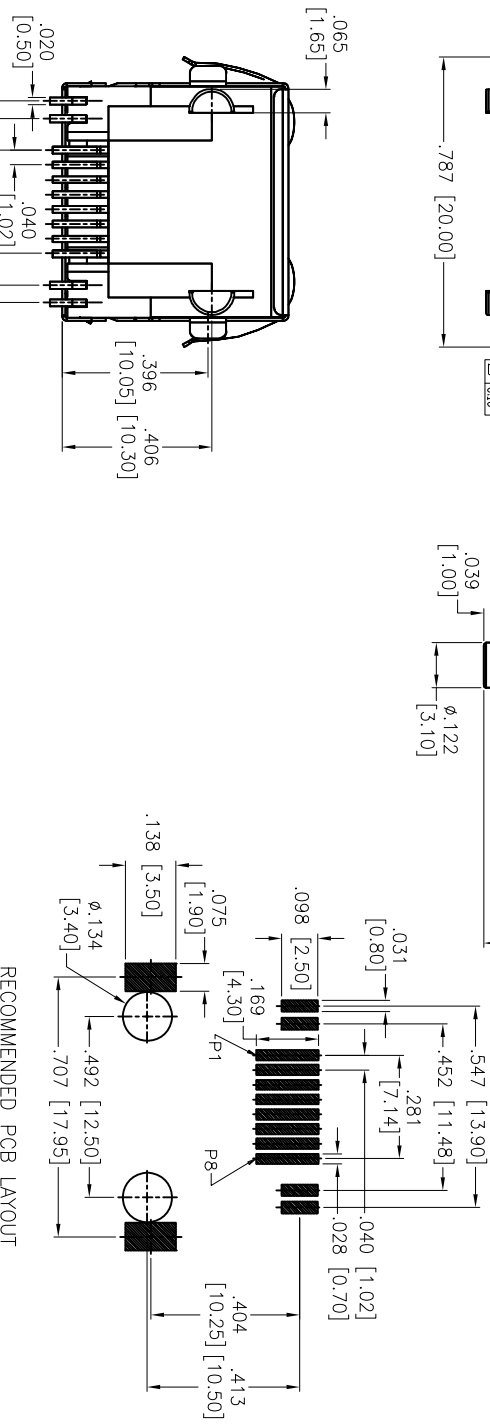
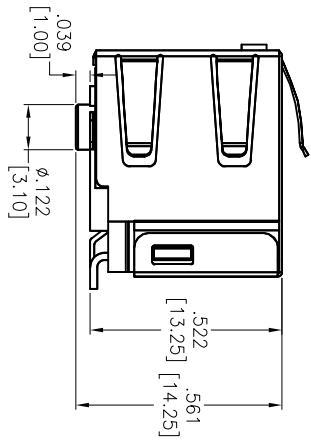
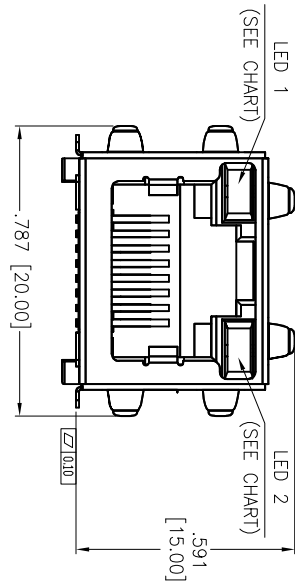
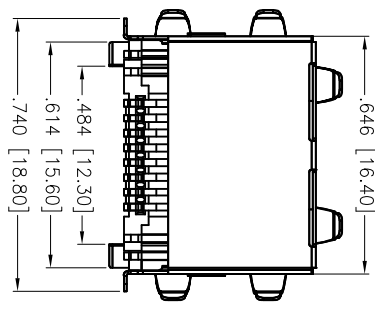


Rev	AWO #	Description	Date	Appr
-		RELEASED	7/13/16	

APPROVED: _____
 DATE: _____ TITLE: _____



Part Number	LED 1 Color	LED 2 Color
MTJ-88ARX1-FS-SMT-PG-LD	Green	Green
MTJ-88ARX1-FS-SMT-PG-LG	Yellow	Green
MTJ-88ARX1-FS-SMT-PG-LH	Green	Yellow
MTJ-88ARX1-FS-SMT-PG-LP	Yellow/Green	Yellow/Green
MTJ-88ARX1-FS-SMT-PG-LV	Green	Yellow/Green
MTJ-88ARX1-FS-SMT-PG-L16	Green/Yellow	Green/Yellow

ADAM TECH

909 Railway Avenue, Union, NJ 07083
 Phone: 908-687-5000 Fax: 908-687-5710

TITLE: MODULAR TELEPHONE JACK, 8P8C, RIGHT ANGLE, SMT, SHIELDED, w/LED'S

UNLESS OTHERWISE SPECIFIED ALL DIMENSIONS ARE INCHES [MM]		TOLERANCES: EXCEPT AS NOTED	
INCHES		HOLDS	
.X	± .10	ØX	± .10
.XX	± .020	ØXX	± .015
.XXX	± .015	ØXXX	± .010
APPROVALS		DATE	
DRAWN	HR	7/13/16	
CHECKED	MW	7/13/16	
APPROVED			
REF: S00005C	SCALE: NTS	SHEET 1 OF 1	

SPECIFICATIONS:

Material: Insulator: Hi-Temp Thermoplastic, rated UL 94V-0
 Insulator color: Black
 Contacts: Phosphor Bronze
 Shield: Brass
 Plating: Round contact
 Gold over Nickel underplate overall
 Flat contact
 Gold over Nickel underplate on contact area,
 Matte Tin over Nickel underplate on solder tails
 (See chart for thickness)
 Electrical:
 Voltage rating: 125 VAC RMS
 Current rating: 1.5 AMP
 Contact Resistance: 20 mohms max
 Insulation resistance: 500 Mohms min @ 500 VDC
 Dielectric withstanding voltage: 1,000 VAC or 1,500 VDC for 1 minute
 Temperature Rating:
 Operating temperature: -40°C to +85°C
 Environmental:
 Lead free, RoHS compliant.

